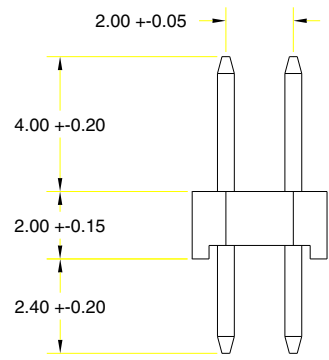
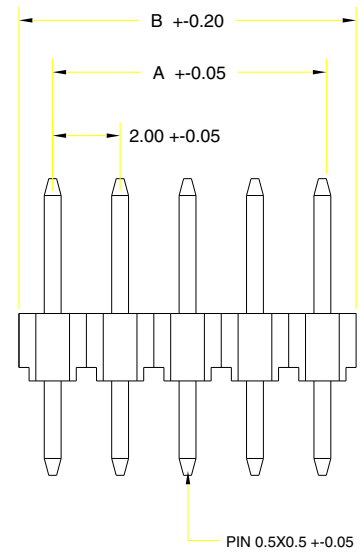
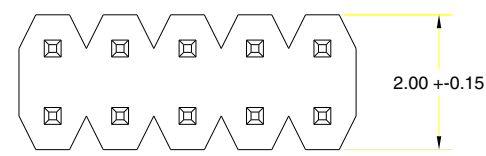


No. of Contacts	DIMENSIONS	
	A	B
4	2.00	4.00
6	4.00	6.00
8	6.00	8.00
10	8.00	10.00
12	10.00	12.00
14	12.00	14.00
16	14.00	16.00
18	16.00	18.00
20	18.00	20.00
22	20.00	22.00
24	22.00	24.00
26	24.00	26.00
28	26.00	28.00
30	28.00	30.00
32	30.00	32.00
34	32.00	34.00
36	34.00	36.00
38	36.00	38.00
40	38.00	40.00
42	40.00	42.00
44	42.00	44.00
46	44.00	46.00
48	46.00	48.00
50	48.00	50.00
52	50.00	52.00
54	52.00	54.00
56	54.00	56.00
58	56.00	58.00
60	58.00	60.00
62	60.00	62.00
64	62.00	64.00
66	64.00	66.00
68	66.00	68.00
70	68.00	70.00
72	70.00	72.00
74	72.00	74.00
76	74.00	76.00
78	76.00	78.00
80	78.00	80.00
-YμδÁ PIN	DIM. B	+0.50

A B C D E



SPECIFICATIONS

Current Rating: 1 Amp
 Insulator Resistance: 5000 Mega Ohm Min.
 Dielectric withstanding: 500 VAC
 Operating Temperature: -40 Degrees C. to +105 Degrees C.
 Contact Material: Brass or Phosphor bronze
 Insulator Material: Polyester, UL 94V-0 Standard: P.B.T
 Contact Finish: Gold/Tin, Selective Plating

Note that "xx" in part number designates number of dual positions, not total contacts.

SULLINS 801 E. MISSION RD. SAN MARCOS, CA 92069	GENERAL TOLERANCE		SCALE	NTS	DRAWN	DATE	DWG. NO.	TITLE	REV.
	XX. +	.XXX. +	UNIT	MM	CHECK	04.18.2000	T0030		
	X. + 0.20	.XXX +	SIZE		APPROVE		PARTS NO.	PRPNxx2PAEN	SHEET
	.X + 0.10	.XB +							
.XX + 0.05	.XB +								

A B C D E