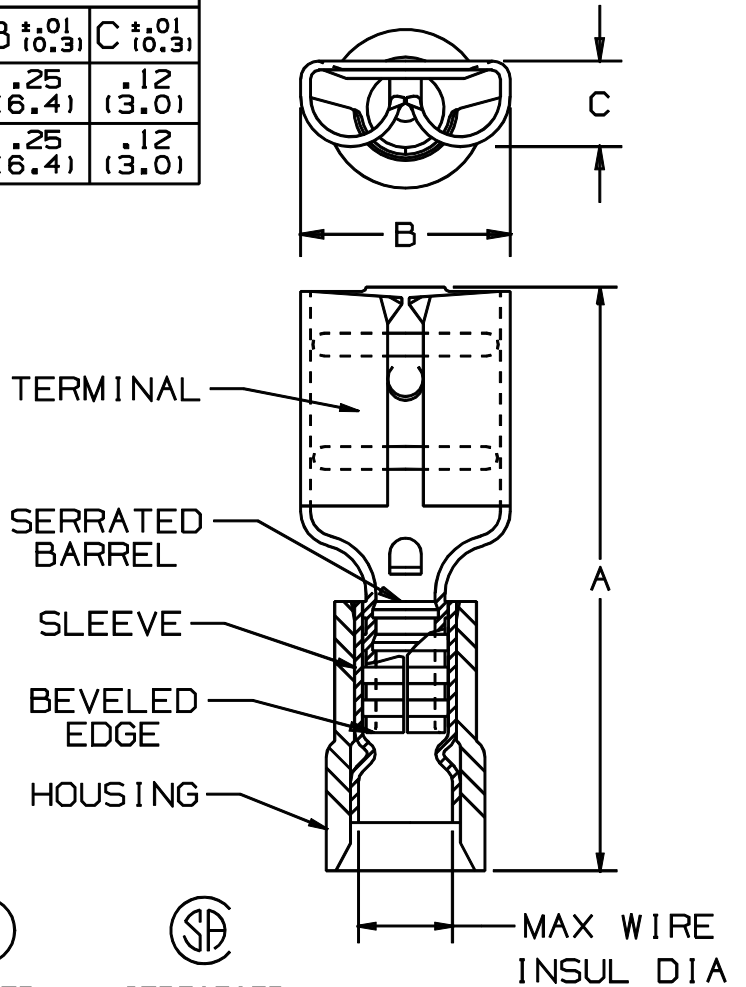


THIS COPY IS PROVIDED ON A RESTRICTED BASIS AND IS NOT TO BE USED IN ANY WAY DETRIMENTAL TO THE INTERESTS OF PANDUIT CORP.

PART NUMBER		TAB SIZE	WIRE RANGE AWG (mm ²)	HOUSING COLOR	MAX INSUL DIA	DIMENSIONS in		
PREFIX	PKG					A $\pm .03$ (0.8)	B $\pm .01$ (0.3)	C $\pm .01$ (0.3)
DNF18-205	-C	.205 x .032	22-18	RED	.137 (3.48)	.76 (19.3)	.25 (6.4)	.12 (3.0)
	-M	(5.2 x 0.8)	(.38-1.0)					
DNF14-205	-C	.205 x .032	16-14	BLUE	.162 (4.11)	.76 (19.3)	.25 (6.4)	.12 (3.0)
	-M	(5.2 x 0.8)	(1.5-2.5)					

NOTES:

- UL LISTED AND CSA CERTIFIED FOR:
 - 300V. MAX. VOLTAGE RATING
 - STRANDED COPPER WIRE ONLY
 - 194° F (90° C) MAX. TEMP. RATING
- PACKAGE QTY: STD. PKG. -C= 100
BULK PKG. -M= 1000
- MATERIAL:
 - STAMPING: .016 (0.41) THK BRASS, TIN PLATED
 - SLEEVE: BRASS, TIN PLATED
 - HOUSING: NYLON
- WIRE STRIP LENGTH $9/32 \begin{matrix} +1/32 \\ -0 \end{matrix}$ (7.1 $\begin{matrix} +0.8 \\ -0 \end{matrix}$)
- INITIAL INSERTION FORCE - 12 LB. (53 N) MAX
INITIAL WITHDRAWAL FORCE - 12 LB. (53 N) MAX
6 LB. (27 N) MIN
- INSTALLATION TOOLS:
 - UL LISTED AND CSA CERTIFIED: CT-500
 - PANDUIT APPROVED: CT-100, CT-160, CT-260, CT-400, CT-460 (FOR DNF14-187 ONLY), CT-550, CT-1550, CT-1551.
- DIMENSIONS IN BRACKETS ARE IN MILLIMETERS OR mm²



 LISTED
20H3
E78522
 CERTIFIED
LR31212

A41585_01

										PANDUIT CORP. TINLEY PARK, ILLINOIS			
01	1/01	RM	FILESPEC WAS N41585AA_PCD_00							NYLON INSULATED FEMALE DISCONNECT, FUNNELED WIRE ENTRY (.205 SERIES)			
00	1/96	ED	RELEASED							03870			
REV	DATE	BY	CHK	DESCRIPTION	ECN #	QA	CUST	PM	APP	DRAWN BY	CHK'D	SCALE	DRAWING NO.
										EJD		NONE	A41585