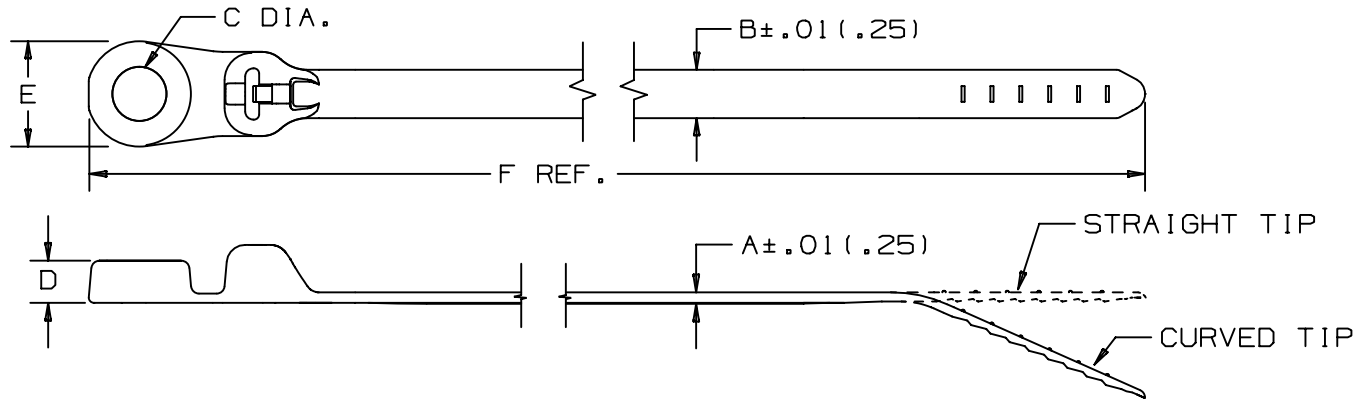


THIS COPY IS PROVIDED ON A RESTRICTED BASIS AND IS NOT TO BE USED IN ANY WAY DETRIMENTAL TO THE INTERESTS OF PANDUIT CORP.



PANDUIT PART NO.	BUNDLE DIA.		A in (mm)	B in (mm)	C in (mm)	D in (mm)	E in (mm)	F in (mm)	MIN. LOOP TENSILE lbs. (N)	CROSS SECTION	TIP STYLE	RECM. FASTENER	WEIGHT lbs./100 pcs. (g)
	MIN. in (mm)	MAX. in (mm)											
BC2S-S10	.06 (1.5)	2.00 (51)	.052 (1.3)	.185 (4.7)	.215/.197 (5.46/5.00)	.160 (4.1)	.400 (10.2)	8.5 (216)	50 (222)	STANDARD	CURVED	#10 (M5) SCREW	.36 (163)
BC3S-S10	.06 (1.5)	3.00 (76)	.052 (1.3)	.185 (4.7)	.215/.197 (5.46/5.00)	.160 (4.1)	.400 (10.2)	12.5 (318)		STANDARD	CURVED	#10 (M5) SCREW	.47 (213)
BC4S-S10	.06 (1.5)	4.00 (102)	.052 (1.3)	.185 (4.7)	.215/.197 (5.46/5.00)	.160 (4.1)	.400 (10.2)	15.6 (396)		STANDARD	CURVED	#10 (M5) SCREW	.58 (265)
BC4LH-S25	.188 (4.8)	4.00 (102)	.065 (1.7)	.275 (7.0)	.270/.250 (6.86/6.35)	.265 (6.7)	.520 (13.2)	15.5 (394)	120 (534)	LIGHT HEAVY	STRAIGHT	.25 (M6) SCREW	1.18 (534)

DIMENSIONS IN PARENTHESES ARE IN METRIC UNITS

PANDUIT CORP. TINLEY PARK, ILLINOIS

BARB-TY LOCKING CLAMP TIE  
BC SERIES

UNLESS OTHERWISE SPECIFIED,  
DIMENSIONAL TOLERANCES ARE:  
(.X) ± --- (.XXX) ± .020(.51)  
(.XX) ± .02(.5) ANGLES ± ---

UNLESS OTHERWISE SPECIFIED,  
ALL DIMENSIONS ARE GIVEN  
IN INCHES, THIRD ANGLE PROJECTION.

DRAWN BY  
FKS

MAT'L:

SCALE NONE

6 2/12/03 JABO

ADDED "RECOMMENDED FASTENER"  
TO THE TABLE

0070 6

DATE  
8-29-94

NYLON 6/6

DRAWING NO.  
BT-0070

DWG  
A

REV DATE BY CHK

DESCRIPTION

ECN - R CUST SUP

CHK'D  
JVL

SHEET 2 OF 2

SIZE