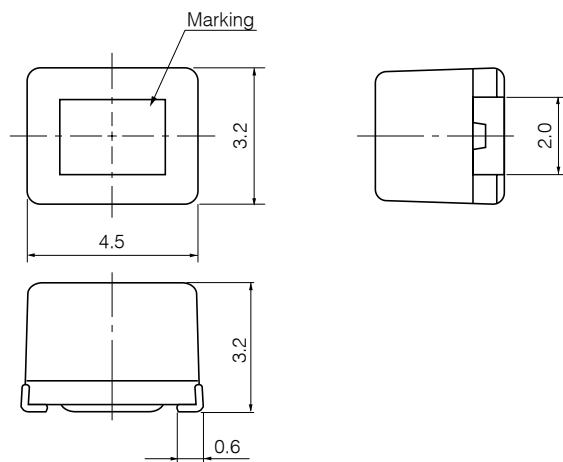
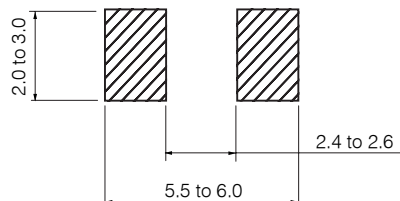


■ Type 4532(1812)PB

● Dimensions in mm (not to scale)



● Recommended Land Pattern in mm (not to scale)



■ Examples

Part No.	Inductance		Q min.	L, Q Test Freq. (MHz)	SRF *1 (MHz)min.	DCR *2 (Ω)max.	DC Current (mA)max.
	(μH)	Tolerance					
ELJPB100KF	10	±10 %	10	2.52	19.0	0.65	360
ELJPB120KF	12				17.0	0.70	340
ELJPB150KF	15				15.0	0.80	320
ELJPB180KF	18				14.0	0.90	310
ELJPB220KF	22				13.0	1.00	300
ELJPB270KF	27				11.0	1.20	270
ELJPB330KF	33				10.0	1.40	250
ELJPB390KF	39				9.5	1.60	230
ELJPB470KF	47				8.5	1.90	210
ELJPB560KF	56				8.0	2.20	190
ELJPB680KF	68		7.0	2.60	170		
ELJPB820KF	82		6.5	3.50	160		
ELJPB101KF	100		20	0.796	6.0	4.00	150
ELJPB121KF	120				5.5	4.50	130
ELJPB151KF	150				5.0	6.50	120
ELJPB181KF	180				4.5	7.50	110
ELJPB221KF	220	4.0			9.00	90	

*1 : Self Resonant Frequency *2 : DC Resistance