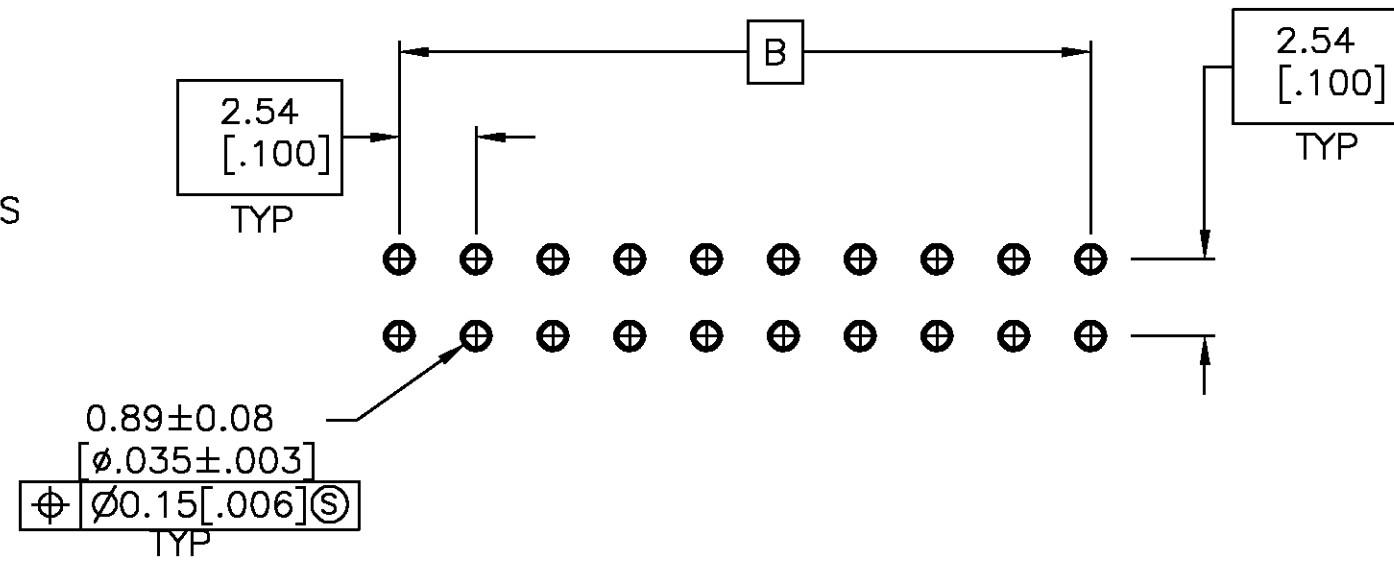
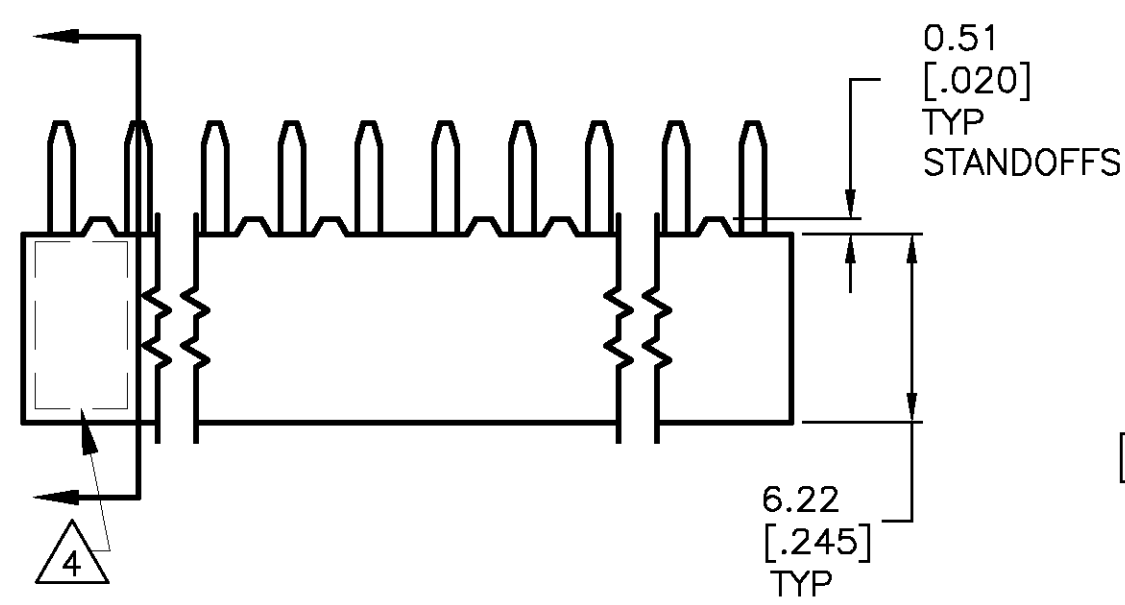
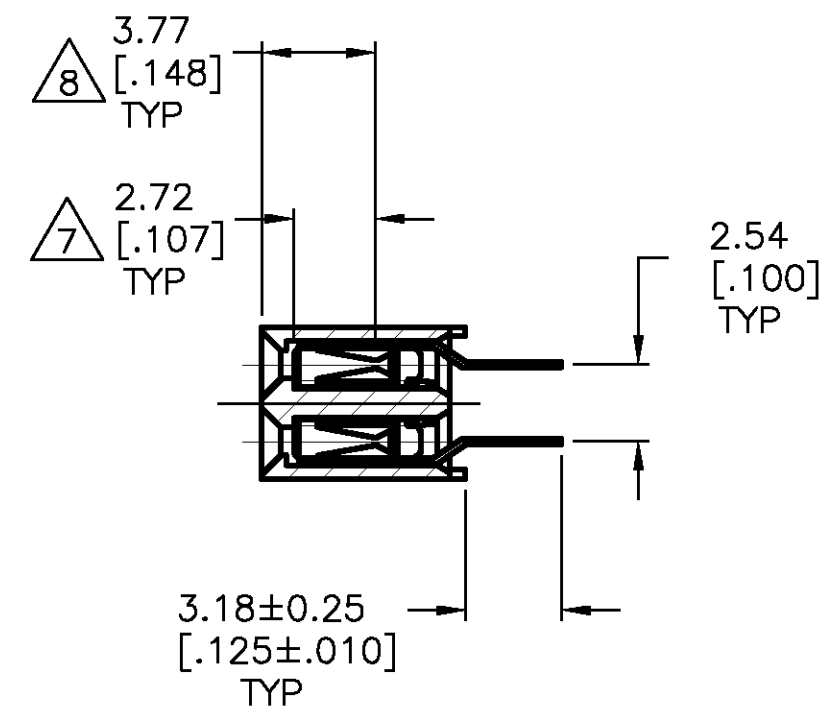
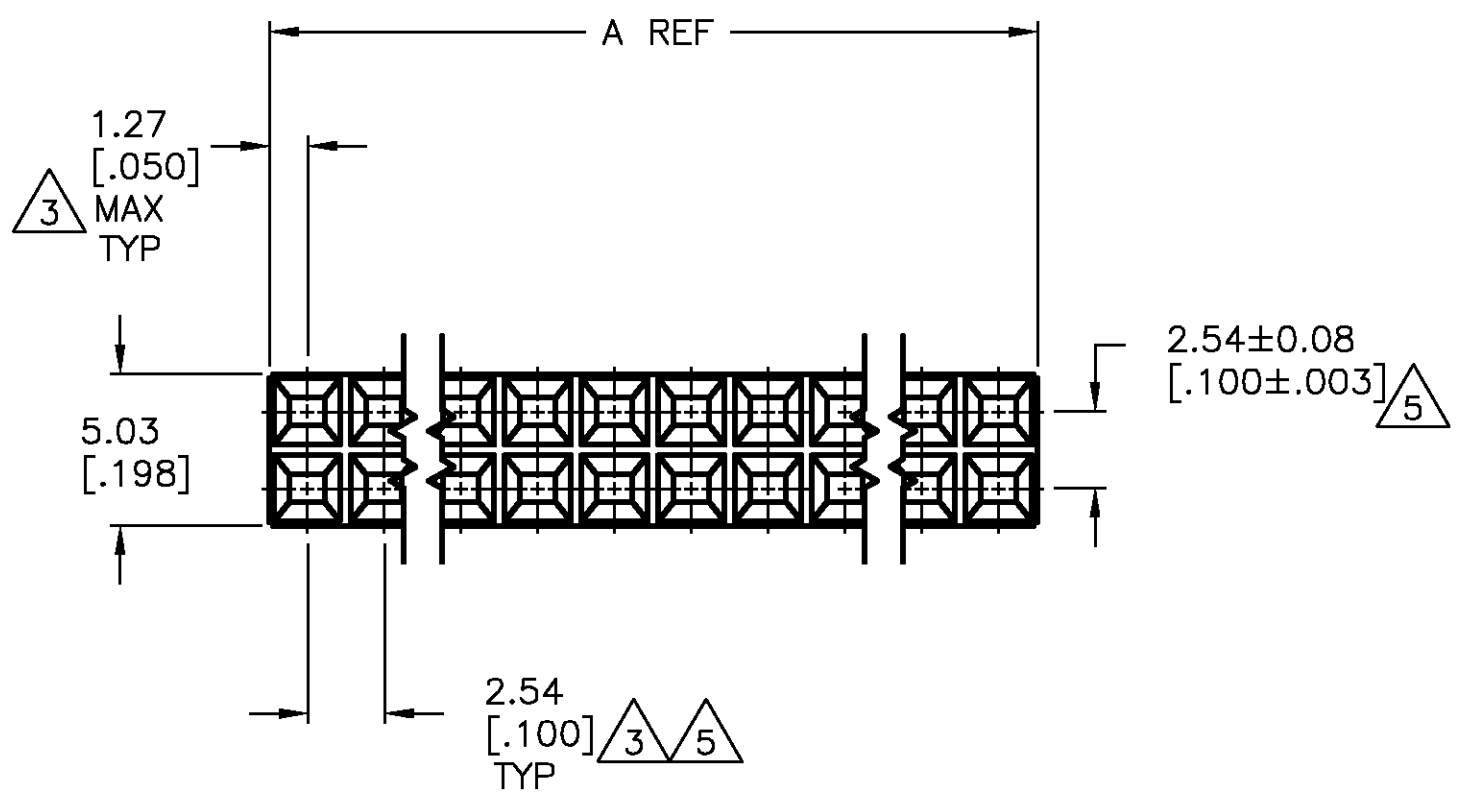


THIS DRAWING IS UNPUBLISHED. RELEASED FOR PUBLICATION
 © COPYRIGHT BY TYCO ELECTRONICS CORPORATION. ALL RIGHTS RESERVED.

LOC		DIST		REVISIONS			
P	LTR	DESCRIPTION	DATE	DWN	APVD		
	L	REV PER EC 063C-0427-02	13NOV02	MB	JO		



RECOMMENDED PC BOARD HOLE PATTERN
 PC BOARD THICKNESS 1.57[.062]



99.06[3.900]	101.60[4.000]	80	4-534998-0
96.52[3.800]	99.06[3.900]	78	3-534998-9
93.98[3.700]	96.52[3.800]	76	3-534998-8
91.44[3.600]	93.98[3.700]	74	3-534998-7
88.90[3.500]	91.44[3.600]	72	3-534998-6
86.36[3.400]	88.90[3.500]	70	3-534998-5
83.82[3.300]	86.36[3.400]	68	3-534998-4
81.28[3.200]	83.82[3.300]	66	3-534998-3
78.74[3.100]	81.28[3.200]	64	3-534998-2
76.20[3.000]	78.74[3.100]	62	3-534998-1
73.66[2.900]	76.20[3.000]	60	3-534998-0
71.12[2.800]	73.66[2.900]	58	2-534998-9
68.58[2.700]	71.12[2.800]	56	2-534998-8
66.04[2.600]	68.58[2.700]	54	2-534998-7
63.50[2.500]	66.04[2.600]	52	2-534998-6
60.96[2.400]	63.50[2.500]	50	2-534998-5
58.42[2.300]	60.96[2.400]	48	2-534998-4
55.88[2.200]	58.42[2.300]	46	2-534998-3
53.34[2.100]	55.88[2.200]	44	2-534998-2
50.80[2.000]	53.34[2.100]	42	2-534998-1
48.26[1.900]	50.80[2.000]	40	2-534998-0
45.72[1.800]	48.26[1.900]	38	1-534998-9
43.18[1.700]	45.72[1.800]	36	1-534998-8
40.64[1.600]	43.18[1.700]	34	1-534998-7
38.10[1.500]	40.64[1.600]	32	1-534998-6
35.56[1.400]	38.10[1.500]	30	1-534998-5
33.02[1.300]	35.56[1.400]	28	1-534998-4
30.48[1.200]	33.02[1.300]	26	1-534998-3
27.94[1.100]	30.48[1.200]	24	1-534998-2
25.40[1.000]	27.94[1.100]	22	1-534998-1
22.86[.900]	25.40[1.000]	20	1-534998-0
20.32[.800]	22.86[.900]	18	534998-9
17.78[.700]	20.32[.800]	16	534998-8
15.24[.600]	17.78[.700]	14	534998-7
12.70[.500]	15.24[.600]	12	534998-6
10.16[.400]	12.70[.500]	10	534998-5
7.62[.300]	10.16[.400]	8	534998-4
5.08[.200]	7.62[.300]	6	534998-3
2.54[.100]	5.08[.200]	4	534998-2
-	2.54[.100]	2	534998-1
B	A	NO OF POSN	PART NUMBER

- 1 HOUSING: FLAME RETARDANT, GLASS FILLED, THERMOPLASTIC, COLOR: BLACK. CONTACT: PHOSPHOR BRONZE
- 2 CONTACT: DUPLEX PLATED 0.76µm[.000030] GOLD IN CONTACT AREA, 3.81-7.62µm[.000150-.000300] BRIGHT TIN-LEAD ON LEADS ALL OVER 1.27µm[.000050] NICKEL
- 3 THESE DIMENSIONS PERTAIN TO CAVITY CENTERLINES ONLY - NOT TO CONTACT LOCATIONS
- 4 TRADEMARK, AGENCY LOGO, AND DATE CODE ARE MOLDED IN OR MARKED. THE ORDER AND LOCATION IS OPTIONAL.
- 5 TOLERANCE IS NON-CUMULATIVE.
- 6 2 POSITION DATE CODE IS MARKED OPPOSITE SIDE OF TYCO LOGO.
- 7 POINT-OF-MEASUREMENT DIMENSION FOR PLATING THICKNESS (INSIDE CONTACT BEAM).
- 8 POINT-OF-CONTACT DIMENSION.

THIS DRAWING IS A CONTROLLED DOCUMENT.

DIMENSIONS: MM [INCHES]	TOLERANCES UNLESS OTHERWISE SPECIFIED:	DWN M.BINNER 06NOV2002	Tyco Electronics Corporation Harrisburg, PA 17105
0 PLC ± -	1 PLC ± -	CHK J.OLSON 06NOV02	
2 PLC ± 0.13[.005]	3 PLC ± -	APVD J.OLSON 06NOV02	NAME
4 PLC ± -	ANGLES ± -	PRODUCT SPEC 108-25022	RECEPTACLE ASSEMBLY, MOD IV, DOUBLE ROW, DUAL ENTRY, .100X.100CL, VERTICAL MOUNT, AMPMODU
MATERIAL 1	FINISH 2	APPLICATION SPEC 114-25018	SIZE A2 CAGE CODE 00779 DRAWING NO C-534998
		WEIGHT -	RESTRICTED TO -
		CUSTOMER DRAWING	SCALE 4:1 SHEET 1 OF 1 REV L